

System C/B Cavalier/Sunfire I4 2.2L/2.4L '95-'03 Dual Exhaust

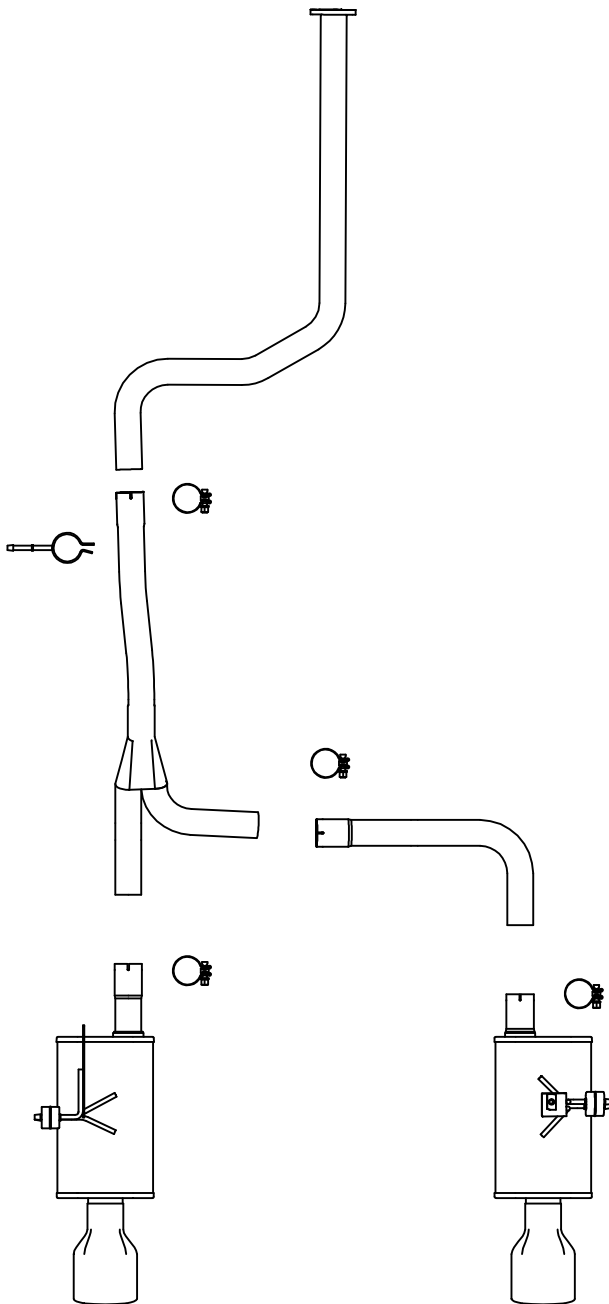
Warning: When working on, under, or around any vehicle exercise caution. Please allow the vehicle's exhaust system to cool before removal, as exhaust system temperatures may cause severe burns. If working without a lift, always consult vehicle manual for correct lifting specifications. Always wear safety glasses and ensure a safe work area. Serious injury or death could occur if safety measures are not followed.

Step 1: (Carefully read all instructions before installation) Disconnect the vehicle's battery before removal of the OEM exhaust. This will allow the computer to reset itself with the new system, and prevent electrical accidents. To remove the OEM exhaust system, you will need to cut the exhaust pipe on the muffler-side of the over-axle loop. You can now remove the system by disengaging the welded hangers from the OEM rubber insulators, and by unbolting the system from the catalytic converter at the 3-bolt flange (Do not discard the OEM fasteners or damage the OEM rubber insulators as they will be reused to mount the new system). Once the system is removed, you will need to remove the OEM hanger brackets for the muffler mounts, and mount the new hanger brackets in place using the OEM fasteners. You will also need to temporarily unbolt the lower shock mounts to allow the swingarm to be pulled down during installation of the new mufflers. Refer to a GM shop manual for torque specifications when remounting the shocks.

Step 2: Begin installation of the new system by mounting the new intermediate pipe using the OEM fasteners (Leave all clamps and fasteners loose for final adjustment of the complete system). Install the new mid-pipe using one of the supplied 2.25" clamps, and by fitting the hanger clamp into the OEM rubber insulator. Fit the supplied rubber insulator to the new hanger brackets before mounting the mufflers.

Step 3: With all components mounted loosely, adjust the system for overall aesthetics and clearance of frame & bodywork. (MAGNAFLOW recommends at least 1/2" of clearance between the exhaust system and any body panels to prevent heat-related body damage or fire.)

Step 4: Once a final position has been chosen for the new system, evenly tighten all fasteners from front to rear. Inspect all fasteners after 25-50 miles of operation and retighten if necessary.

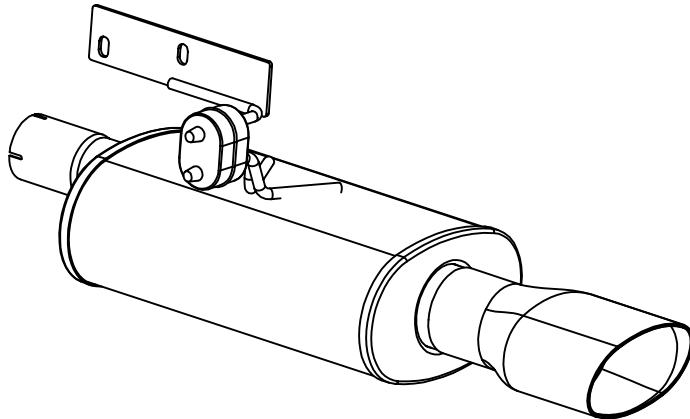


*MAGNAFLOW Performance Exhaust recommends professional installation on all their products

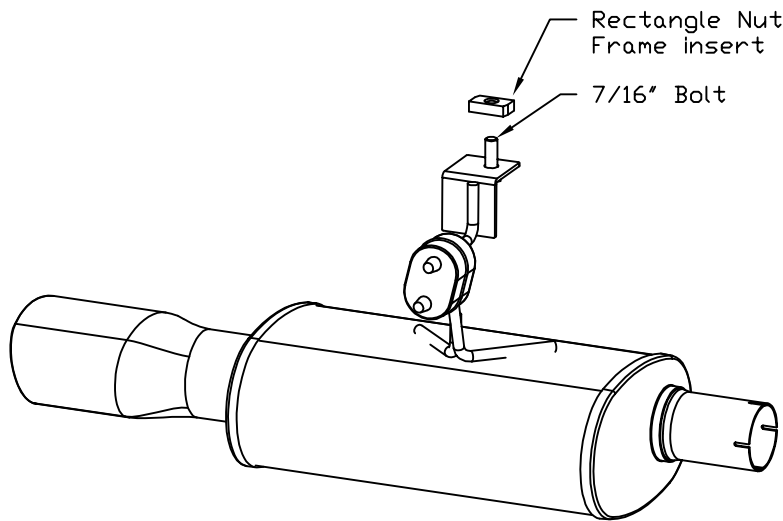
Technical support: 1-800-959-9226 ext. 4500

System C/B Cavalier/Sunfire I4 2.2L/2.4L '95-'03Dual Exhaust

Warning: When working on, under, or around any vehicle exercise caution. Please allow the vehicle's exhaust system to cool before removal, as exhaust system temperatures may cause severe burns. If working without a lift, always consult vehicle manual for correct lifting specifications. Always wear safety glasses and ensure a safe work area. Serious injury or death could occur if safety measures are not followed.



Driver Side



Pass. Side

*MAGNAFLOW Performance Exhaust recommends professional installation on all their products

Technical support: 1-800-959-9226 ext. 4500

MAGNAFLOW Performance Exhaust - 22961 Arroyo Vista - Rancho Santa Margarita, CA 92688