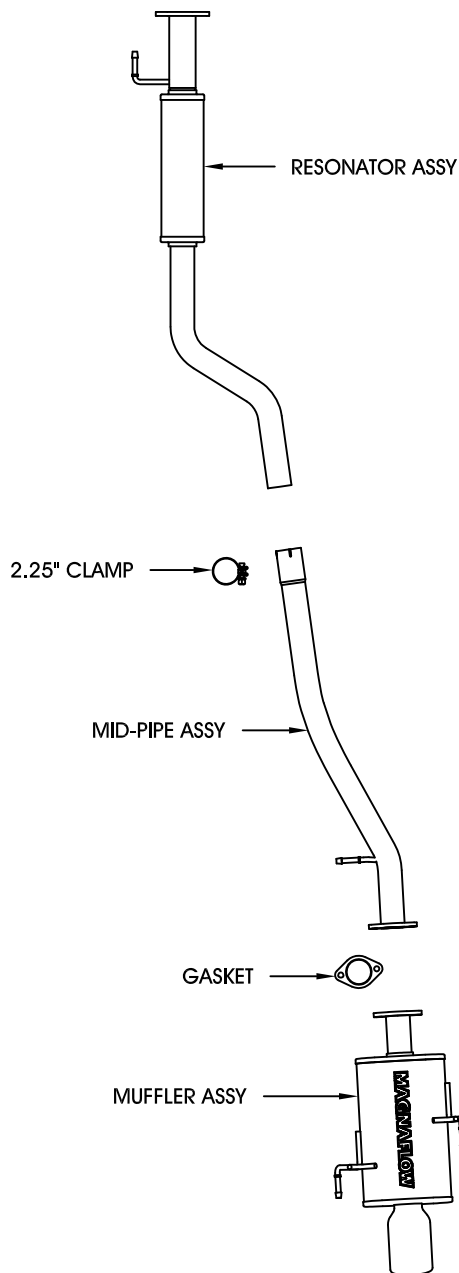


2002-2003 NISSAN SENTRA SE-R I-4 2.5L



Warning: When working on, under, or around any vehicle exercise caution. Please allow the vehicle's exhaust system to cool before removal, as exhaust system temperatures may cause severe burns. If working without a lift, always consult vehicle manual for correct lifting specifications. Always wear safety glasses and ensure a safe work area. Serious injury or death could occur if safety measures are not followed.

Step 1: (Carefully read all instructions before installation) To remove the OEM exhaust system, you must first temporarily remove the exhaust tunnel crossbrace that is shown in Diagram 2 (Do not discard the OEM fasteners, as they will be needed to re-install the crossbrace after the new system is installed). Unbolt the OEM resonator from the catalytic converter and the rear muffler at the 2-bolt flanges. Do not discard the OEM fasteners or gasket, as they will be re-used to mount the new system. Disengage the welded hangers from the OEM rubber insulators and remove the system from the vehicle. Take care not to damage the OEM rubber insulators or the electric ground cable mounted between the flanges at resonator / rear muffler connection.

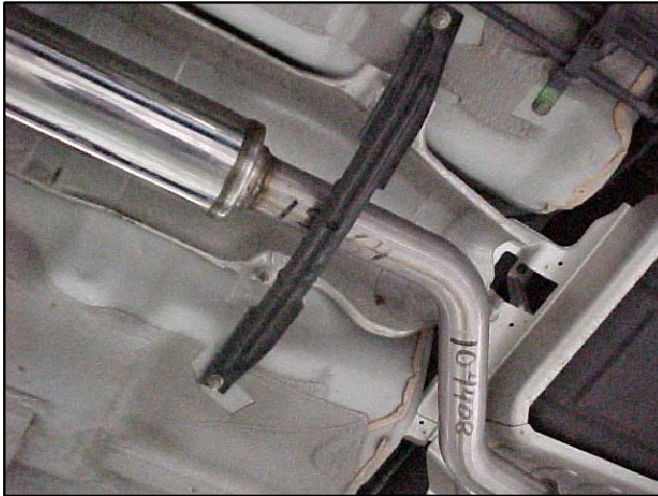
Step 2: Begin installation of the MAGNAFLOW exhaust system by fitting the welded hanger of the resonator assembly into the OEM rubber insulator and by bolting it to the catalytic converter utilizing the OEM fasteners. Leave all fasteners loose for final adjustment of the complete system. Install the Mid-pipe assembly by fitting the welded hanger into the OEM rubber insulator, followed by fastening it to the resonator assembly using the supplied 2.25" clamp. Install the muffler assembly by fitting the welded hangers into the OEM rubber insulators then by bolting it to the Mid-pipe assembly using the supplied gasket and fasteners. Be sure to re-install the electric ground cable between the flange and the flange-nut as shown in Diagram 3 (Holding the flange nut in place while turning the bolt will keep the electric ground cable from winding up around the flange nut).

*MAGNAFLOW Performance Exhaust recommends professional installation on all their products

Technical support: 1-800-959-9226 ext. 4500

2002-2003 NISSAN SENTRA SE-R I-4 2.5L

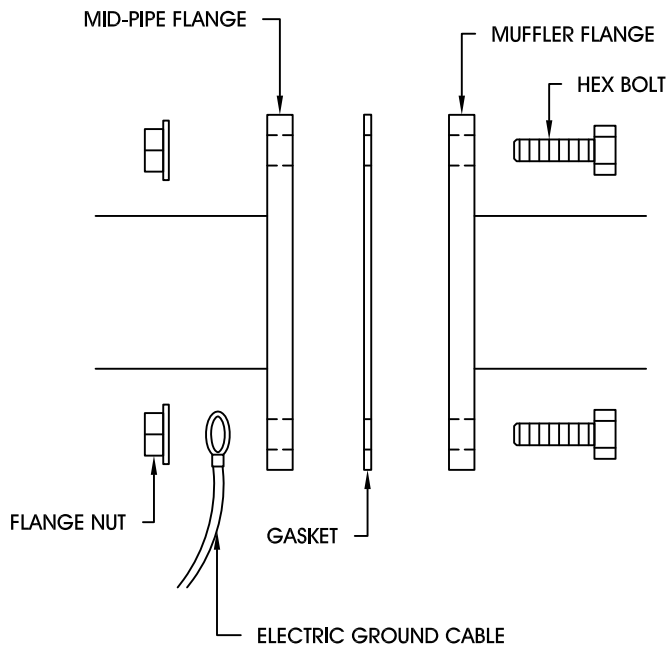
DIAGRAM 2



Step 3: With all components mounted loosely, adjust the system for overall aesthetics and clearance of frame & bodywork. (MAGNAFLOW recommends at least 1/2" of clearance between the exhaust system and any body panels to prevent heat-related body damage or fire.)

Step 4: Once a final position has been chosen for the new system, evenly tighten all fasteners from front to rear. You can now re-install the OEM exhaust tunnel crossbrace (Refer to shop manual for proper torque specifications). Inspect all fasteners after 25-50 miles of operation and retighten if necessary.

DIAGRAM 3



*MAGNAFLOW Performance Exhaust recommends professional installation on all their products

Technical support: 1-800-959-9226 ext. 4500