

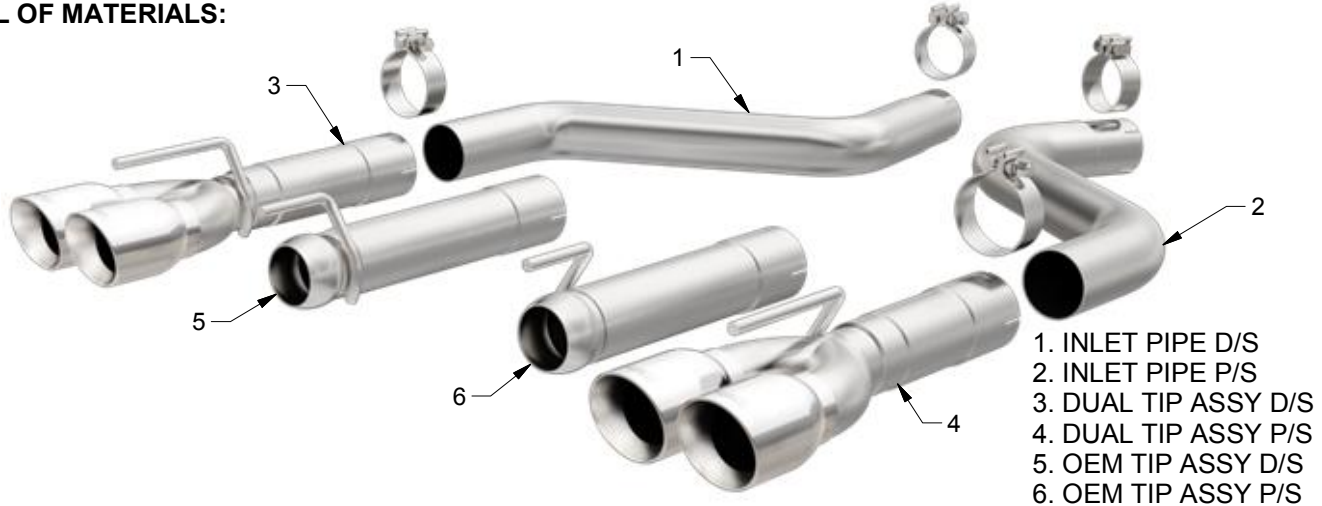


INSTALLATION INSTRUCTIONS



2015 DODGE CHALLENGER 6.4L | PART NO. 19206

BILL OF MATERIALS:



- 1. INLET PIPE D/S
- 2. INLET PIPE P/S
- 3. DUAL TIP ASSY D/S
- 4. DUAL TIP ASSY P/S
- 5. OEM TIP ASSY D/S
- 6. OEM TIP ASSY P/S



WEAR SAFETY GLASSES



READ INSTRUCTIONS THOROUGHLY BEFORE INSTALLING PRODUCT

SHOP SUPPLIES:



SPRAY LUBRICANT

To ease removal of existing exhaust components (especially on older vehicles) spray penetrating lubricant on all fasteners and hangers/insulators that will be loosened or removed and let soak before disassembly.

HARDWARE KIT:

- 1. [2] 2.75" Torca Clamp
- 2. [2] 3.00" Torca Clamp

MINIMUM REQUIRED TOOLS:



Hanger Tool (Or Pry Bar)



15mm
13mm



Sawzall or similar cutting device

MAGNAFLOW RECOMMENDS PROFESSIONAL INSTALLATION ON ALL THEIR PRODUCTS



WARNING: When working on, under, or around any vehicle exercise caution. Please allow the vehicle's exhaust system to cool before removal, as exhaust system temperatures may cause severe burns. If working without a lift always consult vehicle manual for correct lifting specifications. Always wear safety glasses and ensure a safe work area. Serious injury or death could occur if safety measures are not followed.

ATTENTION: Always install any supplied band or U-bolt clamps to the proper torque specifications of 40-45 ft-lbs for band clamps and 30-35 ft-lbs for U-bolt clamps. Over tightening will result in the clamp breaking and will NOT be warranted by MagnaFlow.

INSTALLATION INSTRUCTIONS



Step 1. Begin removal of the OEM system by cutting both side of the systems exhaust pipes. For the drivers side cut 4" rearward of outlet weld on the exhaust control valve as shown in the attached picture.



Step 2. For the passengers side cut 4" rearward of the outlet weld on the exhaust control valve as shown in the attached picture.



Step 3. Next, loosen the band clamps attaching the rear mufflers to the OEM tips. You may now remove the rear exhaust system. Disengage all welded hangers from the rubber insulators. Once the two mufflers are removed from the vehicle detach the OEM tip clamps by gently breaking the welds securing them. Do not discard or damage the clamps or rubber insulators as they will be used to install the new exhaust system.



Step 4. Begin installation of your new system by slipping each Inlet Pipe Assembly over the cut OEM outlet pipes. The drivers side pipe can be identified as the shorter of the two pipes. Loosely secure using the supplied 2.75" clamps. At this point you have two options for tips. Magnaflow supplies a Quad tip setup or an extension pipe assembly to allow the original OEM tips. Select the desired option before continuing the installation.



Step 5. To retain the OEM tips on your vehicle select the two OEM Tip Assemblies. The drivers side will be slightly longer. Loosely attach each pipe inlet to the Over Axle Pipes outlets using the OEM clamps. Engage the welded hangers for each to the rubber insulators.

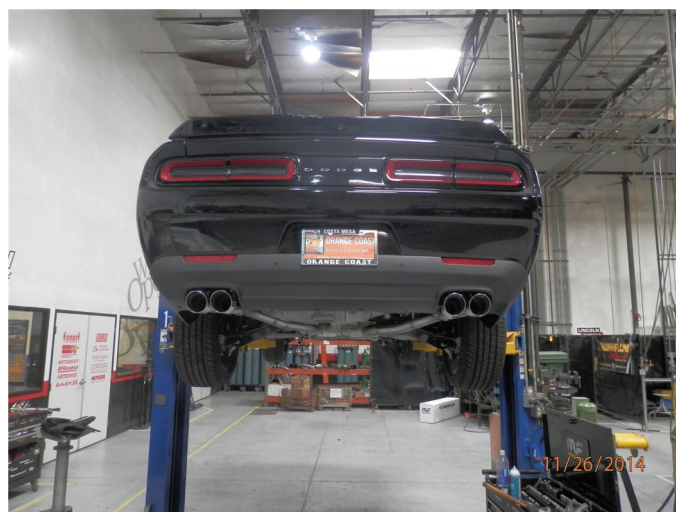
INSTALLATION INSTRUCTIONS



Step 6. To install the Quad Tip option supplied you will first need to remove the OEM tips from the vehicles valence. Remove the four bolts attaching each tip.



Step 7. Once the tips are removed install the Quad Tip Tailpipe Assemblies using the supplied 3.00" clamps. Locate both welded hangers to the rubber insulators.



Step 8. Once a final position has been chosen for the new exhaust system, evenly tighten all clamps from front to rear using the torque specifications on page one of the instructions. Inspect all fasteners after 25-50 miles of operation and re-tighten if necessary.