



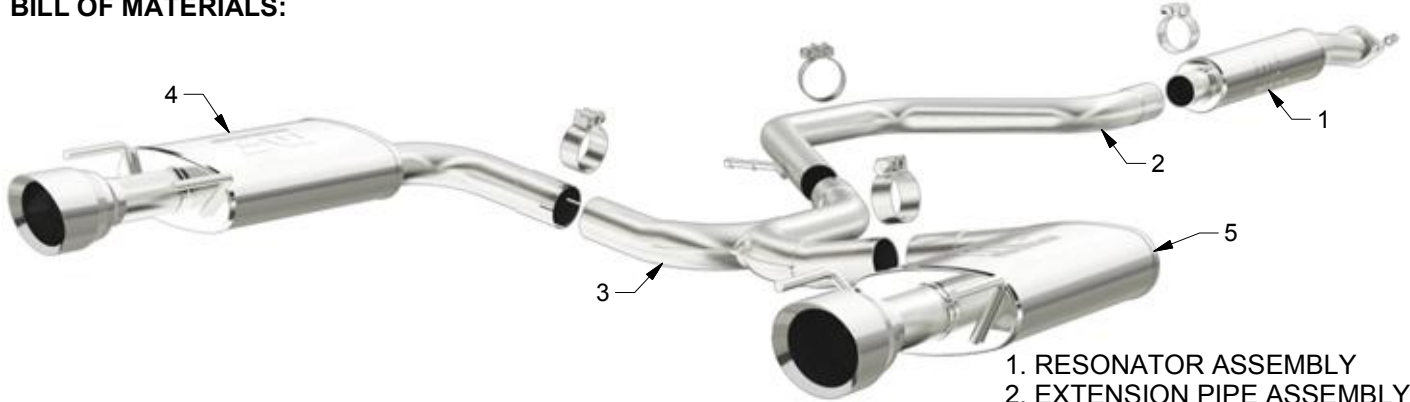
# INSTALLATION INSTRUCTIONS



2013 Chevy Malibu 2.5L

PART NO. 15198

## BILL OF MATERIALS:



- 1. RESONATOR ASSEMBLY
- 2. EXTENSION PIPE ASSEMBLY
- 3. Y-PIPE ASSEMBLY
- 4. MUFFLER ASSEMBLY D/S
- 5. MUFFLER ASSEMBLY P/S



WEAR SAFETY GLASSES



READ INSTRUCTIONS THOROUGHLY BEFORE INSTALLING PRODUCT

## SHOP SUPPLIES:



SPRAY LUBRICANT

To ease removal of existing exhaust components (especially on older vehicles) spray penetrating lubricant on all fasteners and hangers/insulators that will be loosened or removed and let soak before disassembly.

## HARDWARE KIT:

- 1.[4] 2.50" Clamp
- 2.[2] 8-1.25mm Bolt
- 3.[2] 8-1.25mm Nut
- 4.[2] 5/16" Washer
- 5.[1] Gasket-G421

## MINIMUM REQUIRED TOOLS:



15mm, 13mm



Hanger Tool (Or Pry Bar)

## MAGNAFLOW RECOMMENDS PROFESSIONAL INSTALLATION ON ALL THEIR PRODUCTS



**WARNING:** When working on, under, or around any vehicle exercise caution. Please allow the vehicle's exhaust system to cool before removal, as exhaust system temperatures may cause severe burns. If working without a lift always consult vehicle manual for correct lifting specifications. Always wear safety glasses and ensure a safe work area. Serious injury or death could occur if safety measures are not followed.

**ATTENTION:** Always install any supplied band or U-bolt clamps to the proper torque specifications of 40-45 ft-lbs for band clamps and 30-35 ft-lbs for U-bolt clamps. Over tightening will result in the clamp breaking and will NOT be warranted by MagnaFlow.

MAGNAFLOW: 22961 Arroyo Vista - Rancho Santa Margarita, CA 92688 | 1(800) 990-0905  
Technical Support: 1(800) 959-9226 | Email: [moreinfo@magnaflow.com](mailto:moreinfo@magnaflow.com)

## INSTALLATION INSTRUCTIONS



**Step 1.** To remove the OEM exhaust system, you will first need to unbolt the resonator from the catalytic converter and disengage all welded hangers from the rubber insulators. Do not damage or discard the rubber insulators, as they will be reused to mount the new system. You can now remove the OEM exhaust from the vehicle.



**Step 2.** To begin, fasten the Resonator assembly inlet to the catalytic converter using the provided fasteners and gasket (Leave all clamps and fasteners loose for final adjustment of the complete system.)

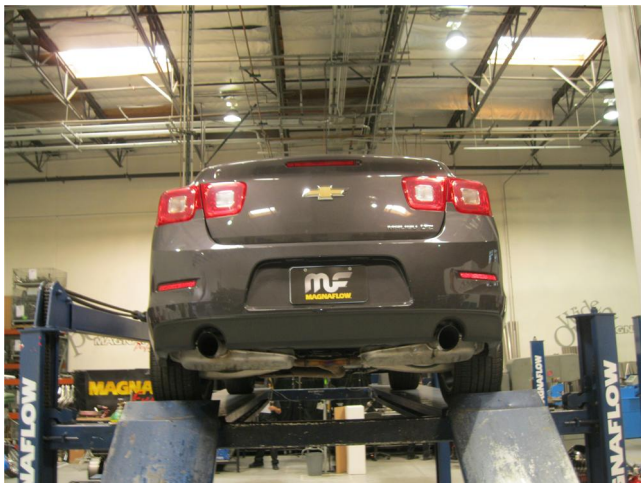


**Step 3.** Next Install the Extension Pipe Assembly to the outlet of the Resonator Assembly using the supplied 2.50" clamp. Then install the Y-Pipe Assembly to the Extension Pipe Assembly in the similar fashion using the supplied 2.50" clamp, and fitting the welded hangers into the rubber insulators.



**Step 4.** Finish by installing the Muffler Assemblies to the Y-Pipe Assembly using the supplied 2.50" clamp, and fitting the welded hanger into rubber insulator.





**Step 5.** Once a final position has been chosen for the new exhaust system, evenly tighten all clamps from front to rear using the torque specifications on page one of the instructions. Inspect all fasteners after 25-50 miles of operation and re-tighten if necessary.