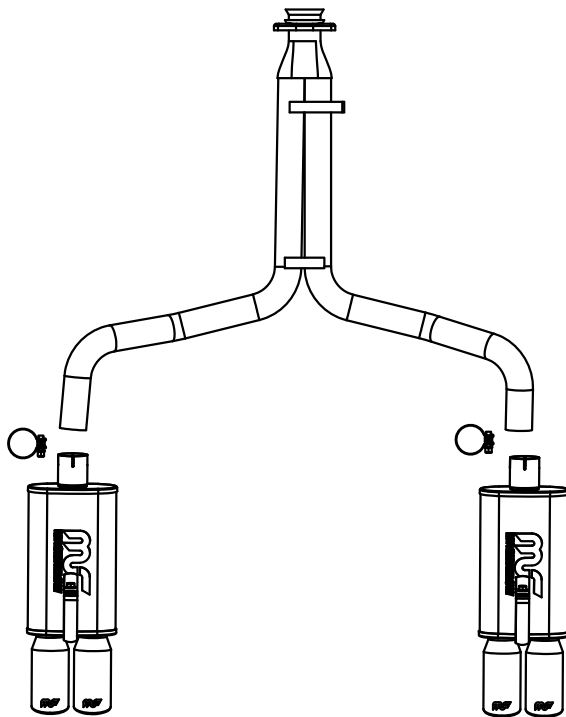


1986-1991 CHEVY CORVETTE - V8 5.7L

Warning: When working on under or around any vehicle exercise caution. Please allow the vehicle's exhaust system to cool before removal, as exhaust system temperatures may cause severe burns. If working without a lift, always consult vehicle manual for correct lifting specifications. Always wear safety glasses and ensure safe work area. Serious injury or death could occur if safety measures are not followed.

Step 1: (Carefully read all instructions before installation) To remove the OEM exhaust system, unbolt the OEM Y-pipe assembly from the catalytic converter, and its mounting brackets. Do not discard any of the OEM fasteners, as they may be re-used to mount the new system. Remove any clamps attaching the Y-pipe to the mufflers, and remove the Y-pipe. Remove the OEM mufflers from the OEM rubber insulators. Do not damage the OEM rubber insulators, as they will be re-used to mount the new system.



Step 2: Begin installation of the new system by fastening the new Y-pipe to the catalytic converter and mounting brackets using the OEM fasteners. Leave all fasteners loose for final adjustment of the complete system. For ease of packaging, the muffler mounting brackets should be pre-mounted on the mufflers backwards (pointing away from the tips). Attach the mounting brackets pointing toward the tips, and fit them into the OEM rubber insulators. Fasten the mufflers to the Y-pipe using the supplied clamps.

Step 3: With all components mounted loosely, adjust the system for overall aesthetics and clearance of frame & bodywork. (MAGNAFLOW recommends at least 1/2" of clearance between the exhaust system and any body panels to prevent heat-related body damage or fire.)

Step 4: Once a final position has been chosen for the new system, evenly tighten all fasteners from front to rear. Inspect all fasteners after 25-50 miles of operation and retighten if necessary.

*MAGNAFLOW Performance Exhaust recommends professional installation on all their products

Technical support: 1-800-959-9226 ext. 4500

MAGNAFLOW Performance Exhaust - 22961 Arroyo Vista - Rancho Santa Margarita, CA 92688

15658 2/23/16 R003