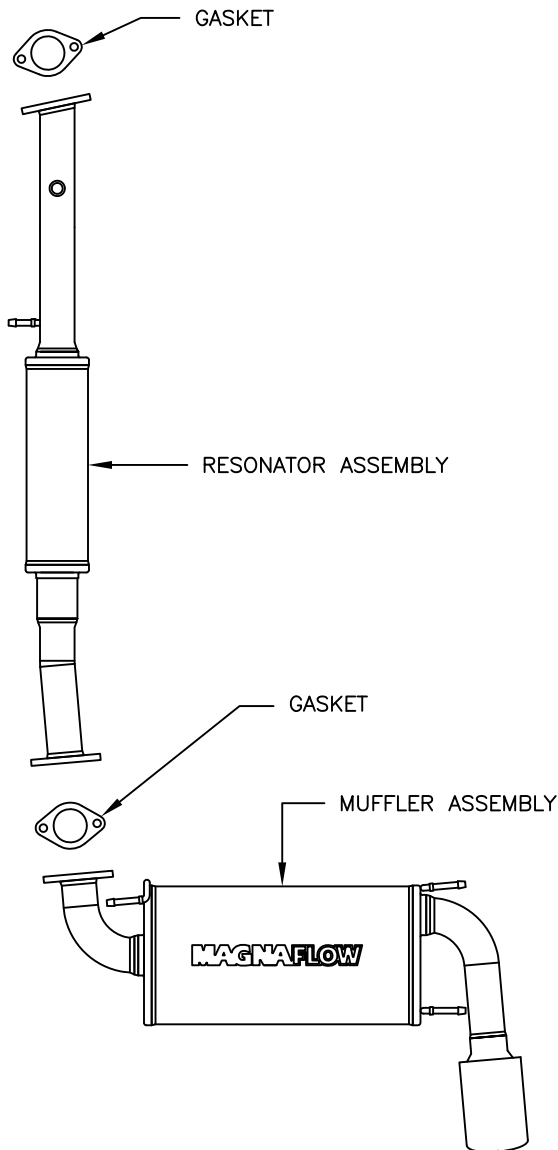


1990-1997 MAZDA MIATA - I-4, 1.6/1.8L



Warning: When working on under or around any vehicle exercise caution. Please allow the vehicle's exhaust system to cool before removal, as exhaust system temperatures may cause severe burns. If working without a lift, always consult vehicle manual for correct lifting specifications. Always wear safety glasses and ensure safe work area. Serious injury or death could occur if safety measures are not followed.

Step 1: (Carefully read all instructions before installation) Before removing the OEM exhaust system, you must remove the U-shaped frame brace, or section the OEM exhaust. Remove the OEM exhaust system by unbolting the OEM resonator assembly from the catalytic converter at the 2-bolt flange. Do not discard the OEM fasteners, as they will be re-used to mount the new system. Remove the OEM system from the OEM rubber insulators, and extract it from the vehicle. Do not damage the OEM rubber insulators, as they will be re-used to mount the new system.

Step 2: Starting with the resonator assembly, fit the welded hanger into the OEM rubber insulator, and fasten the assembly to the catalytic converter at the 2-bolt flange using the supplied gasket and OEM fasteners. Leave all fasteners loose for final adjustment of the system. Fit the welded hangers of the muffler assembly into the OEM rubber insulators, and fasten the muffler assembly to the resonator assembly using the supplied gasket and fasteners.

Step 3: With all components mounted loosely, adjust the system for overall aesthetics and clearance of frame & bodywork. (MAGNAFLOW recommends at least 1/2" of clearance between the exhaust system and any body panels to prevent heat-related body damage or fire.)

Step 4: Once a final position has been chosen for the new system, evenly tighten all fasteners from front to rear. Re-install the OEM U-shaped frame connector. Inspect all fasteners after 25-50 miles of operation and retighten if necessary.

*MAGNAFLOW Performance Exhaust recommends professional installation on all their products

Technical support: 1-800-959-9226 ext. 4500