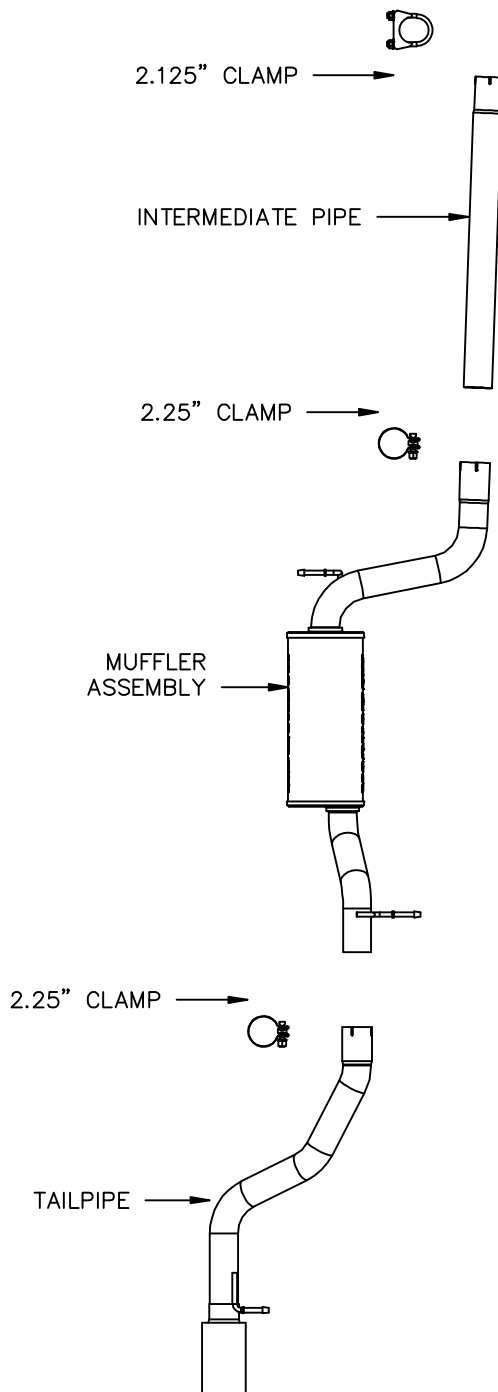


2004– Ford Focus 2.0/2.3L 4cyl



Warning: When working on, under, or around any vehicle exercise caution. Please allow the vehicle's exhaust system to cool before removal, as exhaust system temperatures may cause severe burns. If working without a lift, always consult vehicle manual for correct lifting specifications. Always wear safety glasses and ensure a safe work area. Serious injury or death could occur if safety measures are not followed.

Step 1: (Carefully read all instructions before installation) To remove the OEM exhaust system, you will need to cut the pipe.(3-1/2" inches After the Catalytic Converter.) Do not damage the OEM rubber insulators, or discard the OEM fasteners, as they will be reused to mount the new system. Remove the rear half of the system from the OEM rubber insulators, and extract it from the vehicle.

Step 2: Begin installation of the new system by fitting the new intermediate pipe to the catalytic converter using the provided 2.125" clamp. Leave all fasteners and clamps loose for final adjustment of the complete system. Install the new muffler by fitting the welded hangers into the OEM rubber insulators, and by fastening it to the intermediate pipe using a supplied 2.25" clamp. Install the tailpipe in the same fashion.

Step 3: With all components mounted loosely, adjust the system for overall aesthetics and clearance of frame & bodywork. (MAGNAFLOW recommends at least 1/2" of clearance between the exhaust system and any body panels to prevent heat-related body damage or fire.)

Step 4: Once a final position has been chosen for the new system, evenly tighten all fasteners from front to rear. The supplied band clamps must be VERY tight to properly align the pipes and prevent leaks (Approximately 40ft-lbs). The U-bolt clamps should only be tightened from 35-40ft-lbs. Inspect all fasteners after 25-50 miles of operation and retighten if necessary.

***MAGNAFLOW Performance Exhaust recommends professional installation on all their products**

Technical support: 1-800-959-9226 ext. 4500