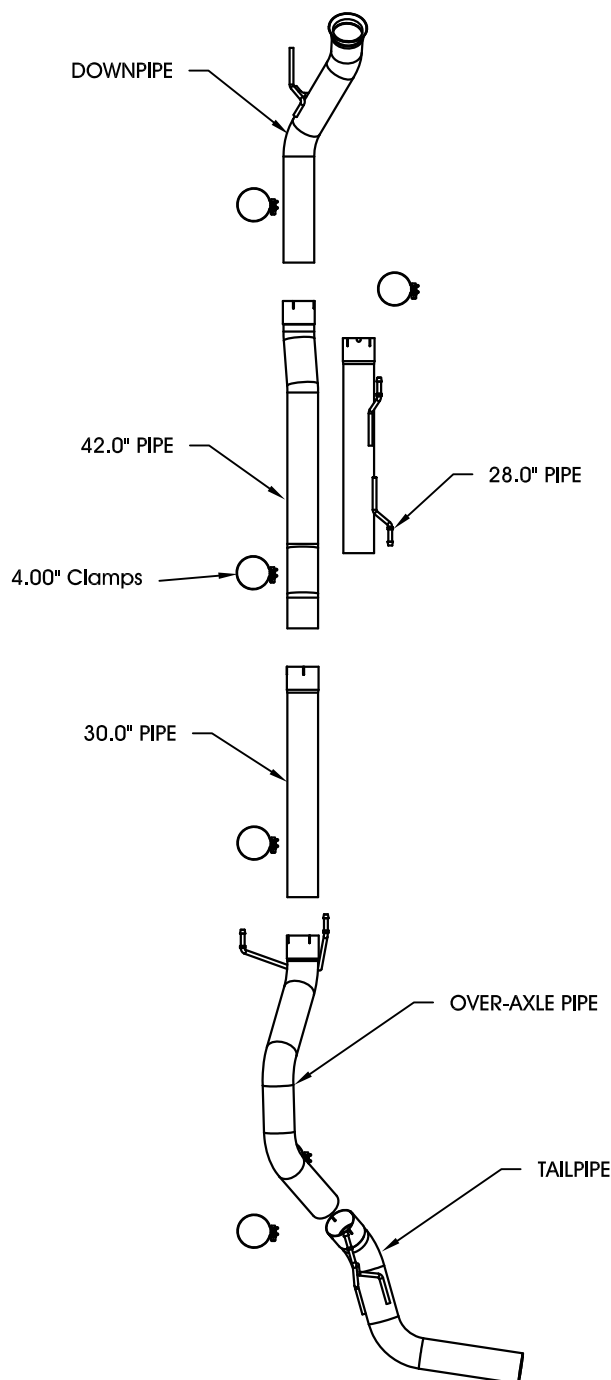


2004.5-2007 DODGE Diesel 5.9L



Note: MAGNAFLOW advises against the removal of catalytic converters. If the vehicle was originally equipped with a catalytic converter, this exhaust system is intended for off-road and racing applications only.

Warning: When working on, under, or around any vehicle exercise caution. Please allow the vehicle's exhaust system to cool before removal, as exhaust system temperatures may cause severe burns. If working without a lift, always consult vehicle manual for correct lifting specifications. Always wear safety glasses and ensure a safe work area. Serious injury or death could occur if safety measures are not followed.

Step 1: (Carefully read all instructions before installation)

To remove the OEM exhaust system, you will need to loosen or remove the clamps that fasten the system together, including the V-band clamp at the turbocharger. You can then disengage any welded hangers from the OEM rubber insulators and extract the system from the vehicle.

Step 2:

Before installing the new downpipe, you will need to temporarily remove the hanger bracket on the bellhousing that attaches to the downpipe hanger as shown in Fig.1. Install the new downpipe by fitting the OEM hanger bracket onto the downpipes welded hanger, then remount the hanger bracket and turbocharger V-band clamp. Leave all clamps and fasteners loose for final adjustment of the complete system. CC/SB and EC/LB trucks will use the 42.0" extension pipe. CC/LB and MC/SB trucks will use the 28.0" extension pipe between the 30.0" and 42.0" extension pipes. Install the required Extension Pipes, Over Axle Pipe and Tailpipe by fitting the welded hangers into the OEM rubber insulators, and by fastening the pipes together using the supplied 4.0" band clamps.

**MAGNAFLOW Exhaust Products recommends professional installation on all their products*

Technical support: 1-800-959-9226 ext. 4500

2004.5-2007 DODGE Diesel 5.9L

Fig. 1



Step 3: With all components mounted loosely, adjust the system for overall aesthetics and clearance of frame and bodywork. (MAGNAFLOW recommends at least 1/2" of clearance between the exhaust system and any body panels to prevent heat-related body damage or fire.)

Step 4: Once a final position has been chosen for the new system, evenly tighten all fasteners from front to rear. The supplied band clamps must be VERY tight to properly align the pipes and prevent leaks (Approximately 40ft-lbs.) Inspect all fasteners after 25-50 miles of operation and retighten if necessary.