

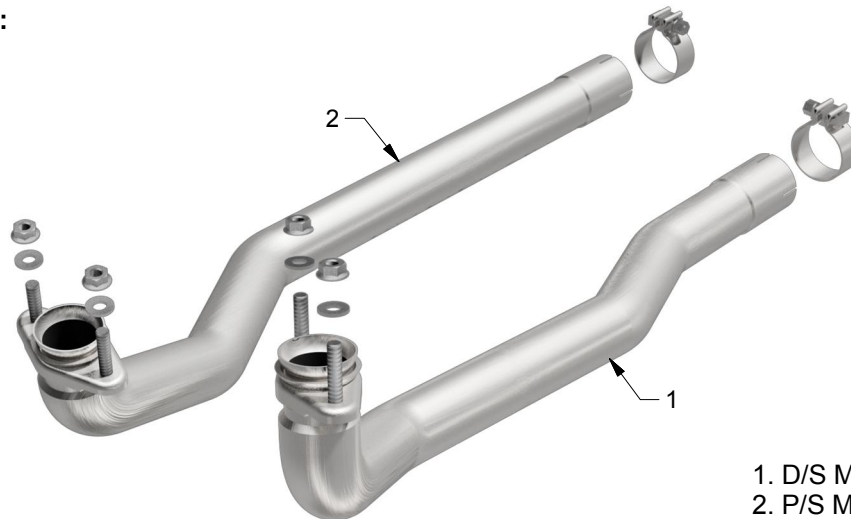


INSTALLATION INSTRUCTIONS



1962-1976 CHRYSLER SMALL BLOCK MANIFOLD PIPES | PART NO. 19343

BILL OF MATERIALS:



1. D/S MANIFOLD PIPE ASSY,
2. P/S MANIFOLD PIPE ASSY.



WEAR SAFETY GLASSES



READ INSTRUCTIONS THOROUGHLY BEFORE INSTALLING PRODUCT

SHOP SUPPLIES:



SPRAY LUBRICANT

To ease removal of existing exhaust components (especially on older vehicles) spray penetrating lubricant on all fasteners and hangers/insulators that will be loosened or removed and let soak before disassembly.

HARDWARE KIT:

1. [2] 2.50" Clamp
2. [4] Bolt Hex 7/16 x 2.00"
3. [4] Nut Hex Flange 7/16"
4. [4] Washer Flat 7/16"

MINIMUM REQUIRED TOOLS:



5/8"



Hanger Tool (Or Pry Bar)

MAGNAFLOW RECOMMENDS PROFESSIONAL INSTALLATION ON ALL THEIR PRODUCTS



WARNING: When working on, under, or around any vehicle exercise caution. Please allow the vehicle's exhaust system to cool before removal, as exhaust system temperatures may cause severe burns. If working without a lift always consult vehicle manual for correct lifting specifications. Always wear safety glasses and ensure a safe work area. Serious injury or death could occur if safety measures are not followed.

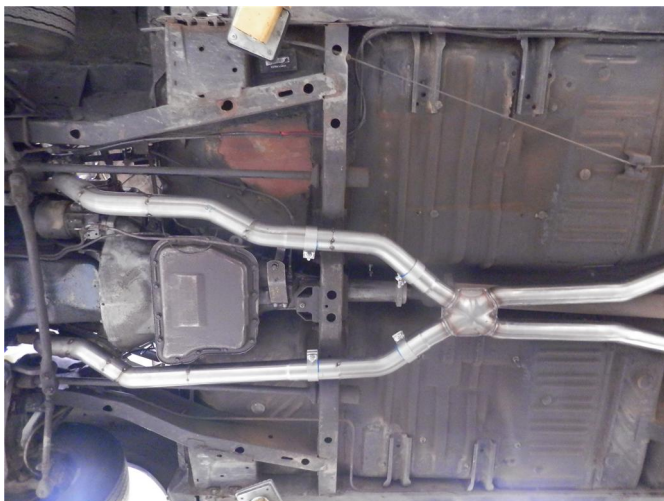
ATTENTION: Always install any supplied band or U-bolt clamps to the proper torque specifications of 40-45 ft-lbs for band clamps and 30-35 ft-lbs for U-bolt clamps. Over tightening will result in the clamp breaking and will NOT be warranted by MagnaFlow.

INSTALLATION INSTRUCTIONS

NOTE: This kit is designed to be used with Magnaflow System # 19303. Please check your vehicles correct application at www.magnaflow.com



Step 1. This install sheet assumes you have already removed the OEM exhaust system. Identify the drivers side and passengers side Manifold Pipes.



Step 2. Loosely attach the inlet of each Manifold Pipe to the OEM Manifold using the supplied gaskets and hardware. Then attach both Manifold Pipes outlets the the inlet end on Magnaflow System #19303 using the supplied clamps.



Step 3. Once a final position has been chosen for the new exhaust system, evenly tighten all clamps from front to rear using the torque specifications on page one of the instructions. Inspect all fasteners after 25-50 miles of operation and re-tighten if necessary.